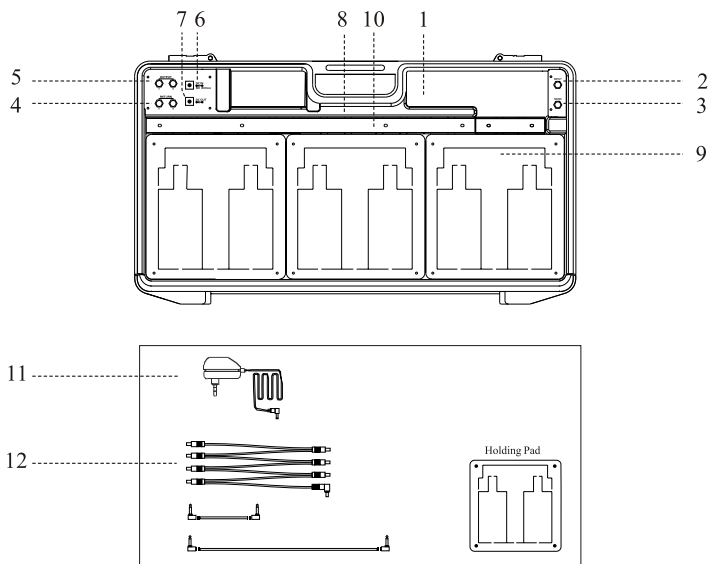


Owner's Manual

Pedal Board



Panel Descriptions

1. Pockets
2. INPUT
3. SEND
4. RETURN A/B
5. OUTPUT A/B Connect the guitar amp
6. DC IN
7. DC OUT
8. Wire Holder
9. Holding Pads
10. Panel
11. AC Adaptor
12. 8Pin Parallel DC Cable

U-600

MAIN FEATURES

Huge area for pedals and easy to organize pedals
 It is large enough to accommodate all of the pedals while providing easy access for quick changes on stage. On the top it has two separate effects loops with input and output jacks. You can put effects on separate loops so they do not overlap. You can set up compact pedals simply and easily with holding pads. These pads allow you to pull off and rearrange your pedals in seconds, without the need for double-sided tape.

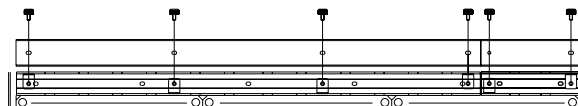
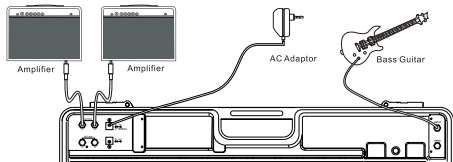
Power Supply Function

Equipped with a high-capacity 800-mA AC adaptor, the U-600 serves as a fully integrated nine volt DC power source for up to six pedals. You can power up every pedal in existence, plug into the extension power cable and leave your pedals set up.

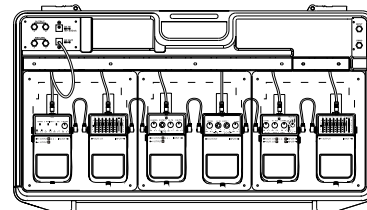
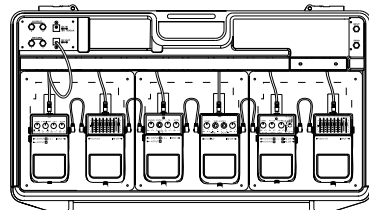
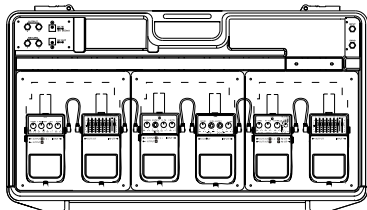
Tough and durable effect pedal case
 Super-Tough Blow-Molded Body with rubber feet; Removable lid with egg-box foam padded interior.

CONNECTION

1. Connect the amps and guitar with the output jack of the pedal board.
2. Remove the thumbscrews, and remove the left and right panels.



3. Use the LL cables to connect the effects pedals
4. Connect the effects pedals with the 8pin parallel DC cable. Connect the L-shaped plug to DC OUT.
5. Attach the left and right panels with the thumbscrews.



MAIN SPECIFICATIONS

Connectors	-----	INPUT Jack (1/4" MONO)
	-----	SEND Jack (1/4" MONO)
	-----	RETURN A/B Jacks (1/4" MONO)
	-----	OUTPUT A/B Jacks (1/4" MONO)
	-----	DC IN Jack, DC OUT Jack
Power Supply	-----	DC 9 V/ AC Adaptor
Dimensions	-----	664*105*375mm
Weight	-----	4.05kg
Accessories	-----	AC Adaptor 9 V/ 800 mA 1PCS
	-----	8-pin Parallel DC Cable 1PCS
	-----	LL Cable L-shaped 5PCS
	-----	LL Cable L-shaped 3PCS